

Ergobaby 360 baby carrier pouch



You will need:

Main fabric: 1 fat quarter

Lining fabric: 1 fat quarter

Pattern paper

$\frac{1}{4}$ " elastic: 2 pieces, 3" long

Contrast zip (minimum 11")

Popper

(optional) ribbon and lobster clasp

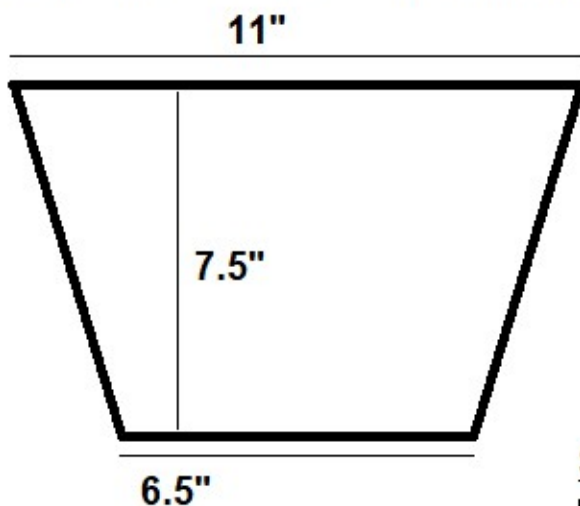


Pattern

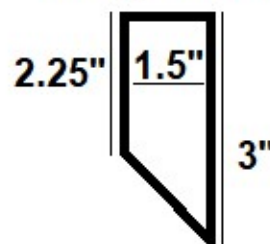
not to scale! Measure out and draw onto pattern paper

Ergobaby 360 pouch

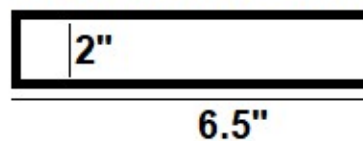
Bag: cut 2 in main fabric, 2 in lining



Straps: Cut 4



Securing strap: Cut 1



Step 1:

Cut out all the pattern pieces. The straps can be cut out of either the lining or the main fabric depending on the look you want.

Step 2: The button straps.



Fold the top straight edge over $\frac{1}{4}$ " on all 4 pieces and then place 2 pieces right sides together. Sew down each side.

Turn right sides out. Iron flat.

Tuck the elastic into the straight end (1" into either side and 1" left to form the loop) and sew the top end closed securing the elastic in place. (I did 2 rows of stitches to be sure)

Step 2: The securing strap.

Fold each of the short ends over by $\frac{1}{4}$ ". Fold right sides lining up the long edges. Sew down the long edge.

Turn right side out, iron and sew each of the short ends closed.

Step 3: Basting the straps.



Lay one piece of the main fabric with the right side facing. Lay the straps on (see picture) and baste with $\frac{1}{8}$ " seam allowance.

Note it felt really counterintuitive for me when I was securing the straps this way but when it's turned right side out at the end they will sit right.

Step 4: Adding the securing strap.

In the picture above you may be able to make out the securing strap sewn in the middle.

Note This strap is actually optional, but I have a feeling it will be a life saver to stop the bag flapping about on a walk.

Place the securing strap approximately $1\frac{1}{4}$ " from the bottom. Sewn a 1" rectangle around the centre. I also did a cross to make it extra secure.



Step 5 (optional): Basting the key holder

On one of the lining pieces baste the ribbon and lobster clasp at the top a minimum of 1" from the edge. This will create a key holder in the finished pouch.

Step 6: Attach to the zip

Now make up the pouch like a normal pouch!

Put the main fabric right side up, then the zipper with the zip facing down, then lining fabric with wrong side up. Pin and sew.

Remember to use a zipper foot and move the zip out of the way.

Repeat on the other side of the zip.

Note You may want to pin the straps and ribbon out of the way, so they don't get caught.

Step 7: Making the pouch.

Now line up the 2 pieces of main fabric with each other, right sides facing. Do the same with the lining fabric.

Make sure the zipper is pushed towards the lining fabric on both sides and that the zipper is part open.

Starting at the lining fabric sew all the way around leave 2-3" open on the short edge of the lining fabric.

Turn your work and sew the hole in the lining fabric seam closed.

Tuck the lining fabric inside.

Step 8: Finishing.

Add the poppers to the securing strap and you're done! Fit to your Ergobaby 360!



Free pattern not for sale, reuse or mass production. You may sell final products. Enjoy!!